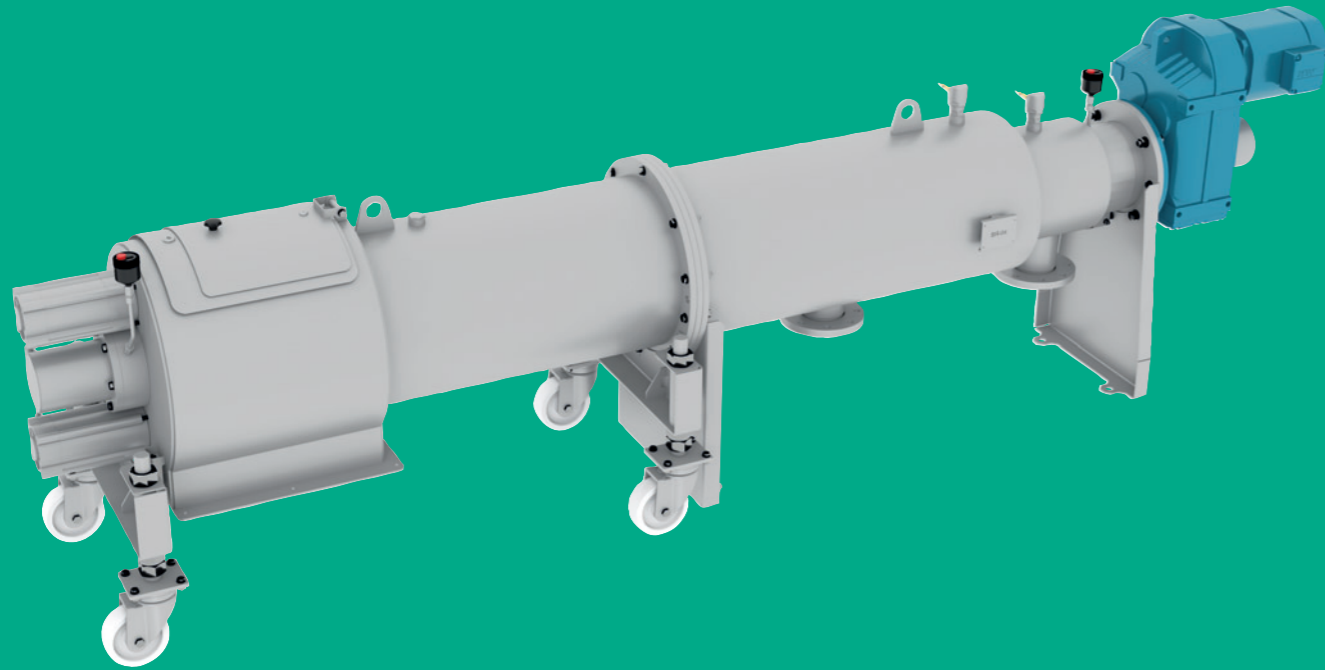


Sludge screen

Request for  
Quote



Specialized in environment  
Technology since **1970**

### Functionality of the Sludge screen:

The FSM sludge screen consists of a cylindrical, enclosed tube inside which a screen with screw inside it is installed.

Via an inlet flange, the liquid to be screened is added into the screen under pressure. The machine may thus also be integrated into the pipework.

The machine is subdivided into the functional areas of screening, compression/dewatering and discharge. Material held back by the screen is conveyed through a screw conveyor into the compression and dewatering zone.

Washing water or re-rinsing for cleaning the screen is not required.

At the end of the compression and dewatering zone, a cone reduces the size of the outlet cross-section. Through the cone, the counterpressure for the compression and dewatering of the material is achieved. The cone can be displaced axially and is run pneumatically.

The counterpressure and/or the cross section through which the material can get into the discharge region is therefore variable.

The perforation of the screen and the design of the discharge area may be adapted individually to the needs and conditions that our customers are faced with.

#### Advantages:

- High throughputs due to pressurised screening
- Can also be used for highly-viscous sludges or those containing grease
- High level of dewatering of the screening by counterpressure cone
- High operational safety due to robust construction
- If the screw has become worn, this can be readjusted
- Reinforced coils reduce wear, particularly when used with abrasive media
- Increase in operational safety and reduction of maintenance required in the subsequent sludge treatment, such as inspissation, disinfection, stabilisation, dewatering and drying
- Low maintenance of the machine required
- Reliable cleaning of the screening surface without additional industrial water
- Machine completely hygienic with odour encapsulation

#### Can be used in public utility and industrial sewage plants

- Process water screening
- Sludge screening / secondary sludge
- Sludge screening / primary sludge



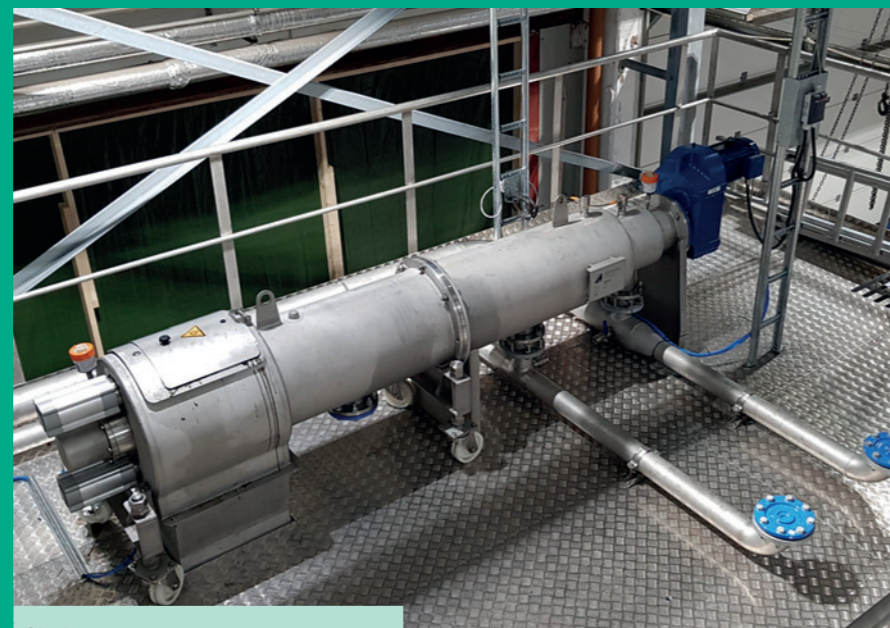
#### Can be used in the paper and cellulose industry

- Process water screening



#### Can be used in industry

- Textile and textile-finishing industry - Process water screening
- Composting plants in waste disposal systems - Leachate treatment



Sludge screen

#### Dimensions:

<b>Throughput power</b>	up to 110 m³/h sludge and 150 m³/h process water
<b>Perforation</b>	1-10 mm, other perforations on request
<b>Angle of installation</b>	Horizontal
<b>Dewatering</b>	Dewatering the screening to up to 45% DS

#### Material/makes:

<b>Machine frame</b>	Stainless steel 1.4301 or 1.4404, other materials on request
<b>Screen element</b>	Stainless steel 1.4301 or 1.4404, other materials on request
<b>Drives</b>	Geared motor, make: SEW

### Machines for water and waste water treatment

Excellent innovative capacity combined with many years of experience and a highly motivated team providing advice, assembly and service are your guarantee of outstanding products "Made in Germany", expert contract management through to commissioning and, of course, thereafter.

Get to know us, perhaps in the near future at a Trade Fair in your locality.

